

DRAWING TYPE

CUSTOMER DRAWING

MARK

DATE

DESCRIPTION

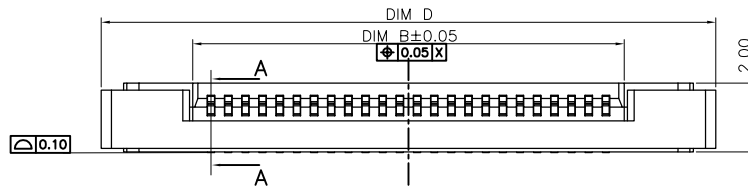
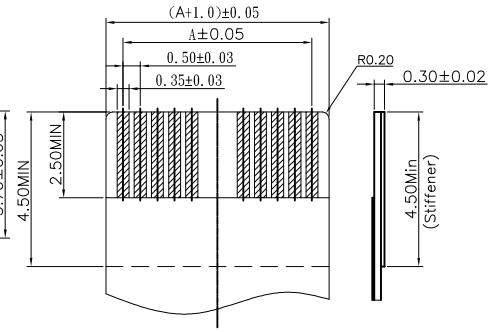
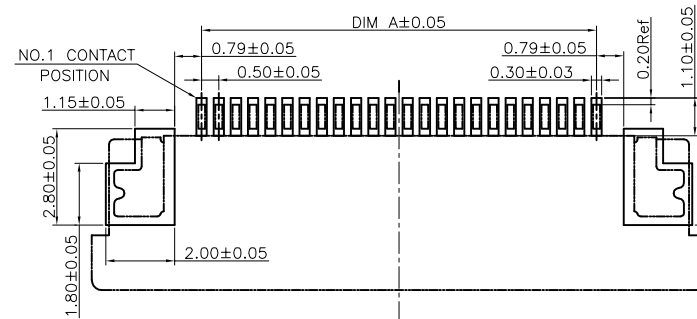
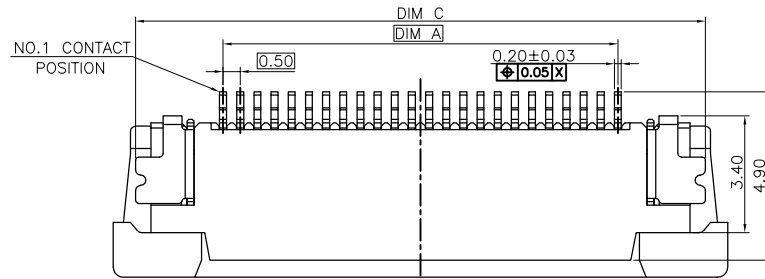
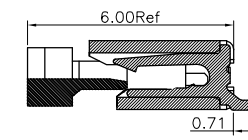
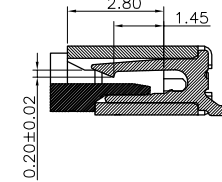
DESIGN

A

2017.06.26

PROPOSAL

CHEN

RECOMMENDED PC BOARD  
(TOP VIEW)

RECOMMENDED FFC/FPC DIM

1. PART NO. LEGEND:

8.23A0 . \*\*\* 2 0 0

① ② ③ ④ ⑤

①.SERIES NAME:8.13A0=0.5MM FFC/FPC HORIZONTAL TYPE CONNECTOR

②.CONTACT PIN NUMBER:\*\*\*=CONTACT PIN NUMBER

③.CONTACT AREA PLATING SPEC: GOLD PLATING: 2=1~3u";3=5u";4=10u";5=15u"

SOLDER AREA PLATING SPEC: GOLD PLATING: 2=1~3u";3=5u";4=10u";5=15u"

④.UNSPECIFIED:0=NONSENSE

⑤.UNSPECIFIED:0=NONSENSE

2. PERFORMANCE:

2.1: CURRENT RATING: 0.5A/PIN.

2.2: VOLTAGE RATING: 50V (AC/DC).

2.3: CONTACT RESISTANCE: INITIAL VALUE 30mOHM Max,

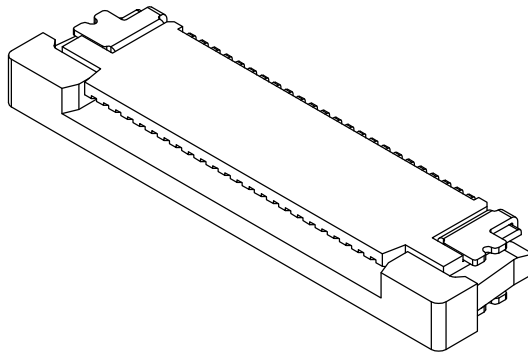
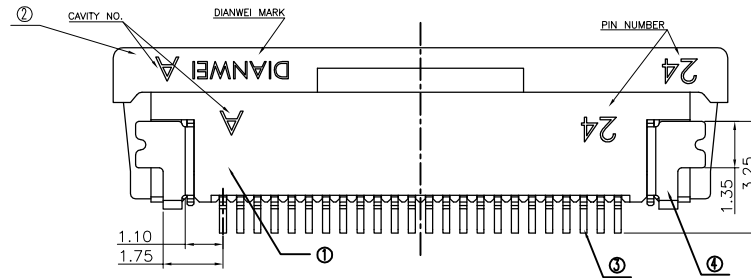
2.4: INSULATION RESISTANCE: 500MOHM Min.

2.5: DIELECTRIC WITHSTANDING VOLTAGE: 250V AC FOR 1MINUTE;

2.6: DURABILITY: 20 TIMES Min.

2.7: OPERATING TEMPERATURE: -40°C~+85°C

OPERATING HUMIDITY RANGE: 20% TO 85%

SECTION: A-A  
SCALE: 1:1

Pin No.	P/N	DIM A	DIM B	DIM C	DIM D
24	8.13A0.024200	11.50	12.56	16.60	17.90
4	STATOR	PHOSPHOR BRONZE			2
3	TERMINAL	PHOSPHOR BRONZE			POSITIONS
2	COVER	THERMOPLASTIC UL94V-0	BLACK		1
1	HOUSING	THERMOPLASTIC UL94V-0	NATURAL		1
NO.	COMPONENTS	MATERIALS	FINISH/COLOR	SPECIFICATION	QUANTITY

DIANWEI

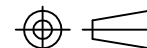
东莞市钿威电子科技有限公司

DONGGUAN DIANWEI ELECTRONIC TECHNOLOGY CO., LTD

Tel: +86-769-8788 8322 Fax: +86-769-8788 8321 E-mail: dianwei@188.com Http://www.dianwei.cn

UNLESS OTHERWISE  
SPECIFIED TOLERANCE

ANG	TOL	DIM	TOL
.X	±3.0°	.X	±0.20
.XX	±2.0°	.XX	±0.10
.XXX	±1.0°	.XXX	±0.05



APPROVED

VERIFIED

DRAWING NO

8.23A0-C

DESIGN

CHEN

PART NAME:

0.5MM FFC/FPC TOP CONTACT HORIZONTAL TYPE CONNECTOR(H=2.0mm)

PART NO.

8.23A0.\*\*\*200

DATE

UNITS

SCALE

PAGE

REV

2017.06.26

mm

1:1

1/2

A

NOTE: ALL RIGHTS RESERVED,BANNED COPY!

QP-04-33-B