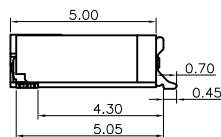
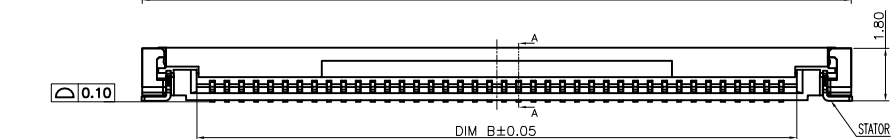
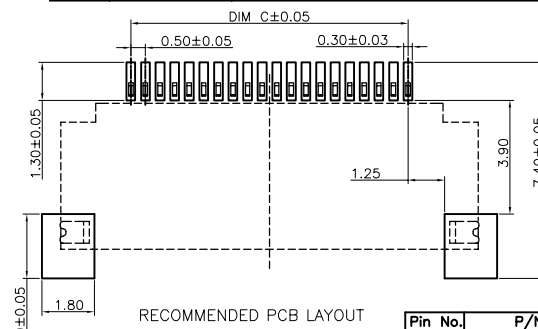
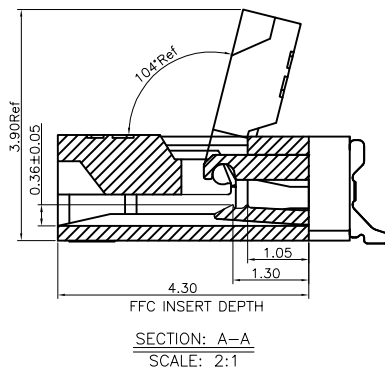
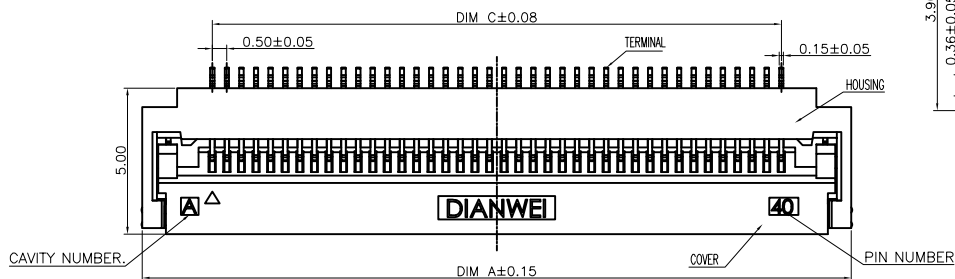


DRAWING TYPE

CUSTOMER DRAWING

MARK	DATE	DESCRIPTION	DESIGN
X1	2021.01.25	PROPOSAL	CHEN



Pin No.	P/N	DIM A	DIM B	DIM C	DIM D
4	8.20A0.004200	6.30	2.56	1.50	4.50
8	8.20A0.008200	8.30	4.56	3.50	6.50
10	8.20A0.010200	9.30	5.56	4.50	7.50
12	8.20A0.012200	10.30	6.56	5.50	8.50
20	8.20A0.020200	14.30	10.56	9.50	12.50
24	8.20A0.024200	16.30	12.56	11.50	14.50
30	8.20A0.030200	19.30	15.56	14.50	17.50
34		21.30	17.56	16.50	19.50
40	8.20A0.040200	24.30	20.56	19.50	22.50
41		24.80	21.06	20.00	23.00
42	8.20A0.042200	25.30	21.56	20.50	23.50
45	8.20A0.045200	26.80	23.06	22.00	25.00
50	8.20A0.050200	29.30	25.56	24.50	27.50
51		29.80	26.06	25.00	28.00
54	8.20A0.054200	31.30	27.56	26.50	29.50
56	8.20A0.056200	32.30	28.56	27.50	30.50
60	8.20A0.060200	34.30	30.56	29.50	32.50
61		34.80	31.06	30.00	33.00
64	8.20A0.064200	36.30	32.56	31.50	34.50
65		36.80	33.06	32.00	35.00
68	8.20A0.068200	38.30	34.56	33.50	36.50
70		39.30	35.56	34.50	37.50
71		39.80	36.06	35.00	38.00
75		41.80	38.06	37.00	40.00
80	8.20A0.080200	44.30	40.56	39.50	42.50
81		44.80	41.06	40.00	43.00
85		46.80	43.06	42.00	45.00
90		49.30	45.56	44.50	47.50
95		51.80	48.06	47.00	50.00
96	8.20A0.096200	52.30	48.56	47.50	50.50
100	8.20A0.100200	54.30	50.56	49.50	52.50
128		68.30	64.56	63.50	66.50

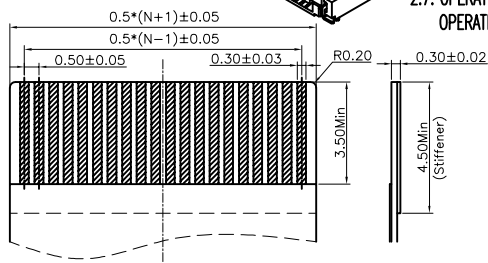
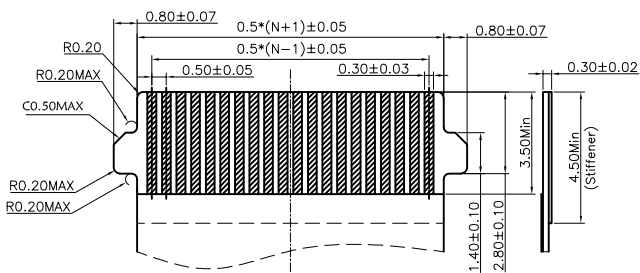
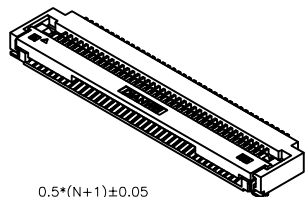
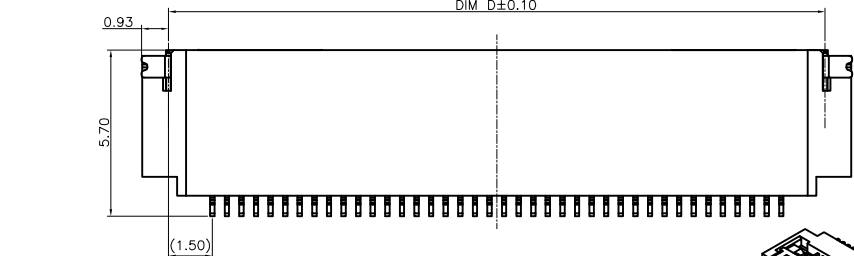
1. PART NO. LEGEND:

8.20A0.***200
① ② ③ ④ ⑤

- ①.SERIES NAME:8.20A0=0.5MM FFC/FPC SWING COVER CONNECTOR (H=1.8mm)
- ②.CONTACT PIN NUMBER:***=CONTACT PIN NUMBER
- ③.CONTACT AREA PLATING SPEC: PART GOLD PLATING;2=1~3u",3=5u",4=10u",5=15u"
SOLDER AREA PLATING SPEC: PART GOLD PLATING;2=1~3u",3=5u",4=10u",5=15u"
- ④.UNSPECIFIED:0=NONSENSE
- ⑤.UNSPECIFIED:0=NONSENSE

2. PERFORMANCE:

- 2.1: CURRENT RATING: 0.5A/PIN.
- 2.2: VOLTAGE RATING: 50V (AC/DC).
- 2.3: CONTACT RESISTANCE: INITIAL VALUE 30mOHM Max,
- 2.4: INSULATION RESISTANCE: 500MOHM Min.
- 2.5: DIELECTRIC WITHSTANDING VOLTAGE: 250V AC FOR 1MINUTE;
- 2.6: DURABILITY: 20 TIMES Min.
- 2.7: OPERATING TEMPERATURE: -40°C~+85°C
OPERATING HUMIDITY RANGE: 20% TO 85%



RECOMMENDED FFC/FPC

RECOMMENDED FFC/FPC

UNLESS OTHERWISE SPECIFIED TOLERANCE

ANG	TOL	DIM	TOL
.X	±3.0°	.X	±0.20
.XX	±2.0°	.XX	±0.10
.XXX	±1.0°	.XXX	±0.05

NOTE: ALL RIGHTS RESERVED,BANNED COPY!

4	STATOR	PHOSPHOR BRONZE		2	
3	TERMINAL	PHOSPHOR BRONZE		POSITIONS	
2	COVER	THERMOPLASTIC UL94V-0	BLACK	1	
1	HOUSING	THERMOPLASTIC UL94V-0	NATURAL	1	
NO.	COMPONENTS	MATERIALS	FINISH/COLOR	SPECIFICATION	QUANTITY

DIANWEI

东莞市钲威电子科技有限公司

DONGGUAN DIANWEI ELECTRONIC TECHNOLOGY CO., LTD
Tel: +86-769-8788 8322 Fax: +86-769-8788 8321 E-mail: dianwei@188.com Http://www.dianwei.cn

APPROVED	VERIFIED	DRAWING NO	PART NAME:	0.5MM FFC/FPC SWING COVER CONNECTOR(H=1.8mm)			
		8.20A0-C	PART NO.	8.20A0.***200			
DESIGN	CHEN	DATE	UNITS	SCALE	PAGE	REV	
		2021.01.25	mm	1:1	1/1	X1	